

# ATISLELOK®

## AisleLok® Acrycell™ Sealing Tape

### Part Number

- 10108-001 .5" (13mm)
- 10108-002 1" (25mm)
- 10108-003 2" (50mm)



1" Acrycell Sealing Tape  
Part No. 10108-002

### Application

The AisleLok® Acrycell Sealing Tape is the premium choice for sealing unusual gaps and openings in the data center including:

- Room perimeter.
- Floor openings.
- Under cabinets.
- Between racks.
- Around CRAC units.

Its revolutionary sealing technology greatly reduces costly bypass airflow, increasing usable cooling unit capacity, and ensuring maximized efficiency from HVAC equipment.

### Features

- Non-particulating tape is safe for the data center and ensures a durable secure seal .
- AisleLok® products are compliant with directive 2002/95/EC of the European Parliament and the Council on the Restriction of the Use of Certain Hazardous Substances in Electrical and Electric Equipment (RoHS).
- Time release expansion allows product installation without disturbing cables; tape will fully expand within 72 hours or longer depending on ambient temperature.
- Conforms to non-uniform spaces when completely expanded.
- Compact size for easy portability.

### Benefits

- Supports increasing cabinet density.
- Increases existing cooling unit capacity.
- Reduces the need to purchase additional cooling units.
- Improves IT equipment reliability and extends equipment life.

### Unique Acrycell Technology

Confirmed by a 3rd party laboratory's accelerated aging test this non-particulating sealing tape is truly "Data Center Safe" and also offers:

- Time release expansion that ensures a tight seal around cables and other impediments.
- Moldable physical quality that forms a tight seal on uneven surfaces and gaps.
- Customizable tape unrolls creating one continuous and uniform top-to-bottom seal.
- "Peel and Stick" installation saves labor, time and money.
- Compressed tape eliminates pinching, stuffing, or otherwise manipulating to install.

## Specifications

Acrycell Sealing Tape		Compressed Tape Minimum Effective Thickness	Expanded Tape Maximum Effective Thickness	Tape Width	Roll Length
Part No. 10108-001	.5" (13 mm)	.20" (5 mm)	.50" (12.7 mm) ±10%	.39" (10 mm)	32.8' (10 m)
Part No. 10108-002	1" (25 mm)	.47" (12 mm)	1" (25.4 mm) ±10%	.59" (15 mm)	18.4' (5.6 m)
Part No. 10108-003	2" (50mm)	.87" (225 mm)	2" (50.8 mm) ±10%	.98" (25 mm)	8.5' (2.6 m)

Each carton contains 5 rolls of the specified size.

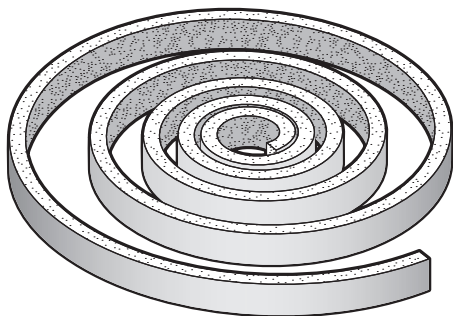
### Data Center Safe Sealing System

Confirmed "Data Center Safe", the non-particulating, time release Acrycell sealing technology is designed to seal gaps against racks, cabinets or other enclosures in the mission critical data center environment.

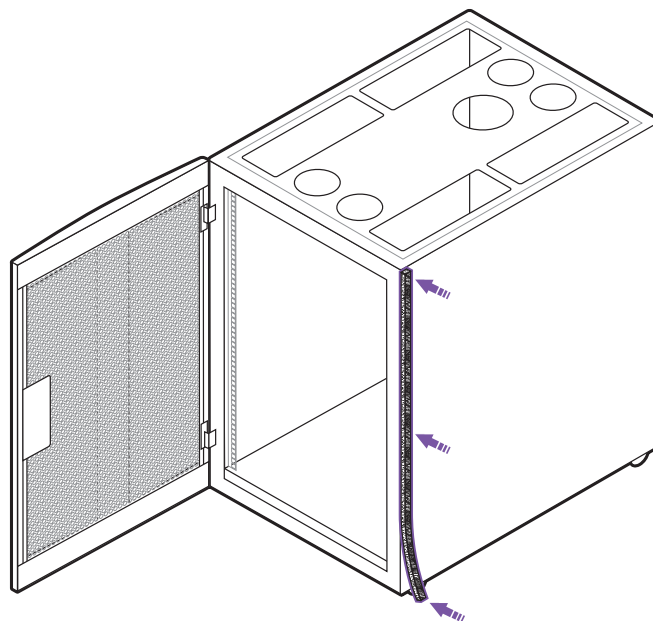
### Sealing Effectiveness

Acrycell sealing technology has been engineered to fill gaps tightly against airflow and particulates across a wide spectrum of widths. Confidently and cost effectively sealing gaps against errant airflow ranging from 5 to 50mm in width, between racks, cabinets, or other data center equipment.

### Product Drawings



.5" Acrycell Sealing Tape



### Temperature Resistance

Durable Acrycell sealing tape is both temperature resistant from -40 to 212°F (-40 to 100°C) and fire resistant to DIN 4102 Class B1.

Finish: Black

### Mounting System

Adhesive mounting system consisting of:

- Single-sided, pressure sensitive tape with durable and field tested adhesive backing.