

AISLELOK®

AisleLok® Adjustable Mounting Post, 42U– 45U

Part Number

10167-45B

Application

The AisleLok® Adjustable Mounting Post is designed and intended to be used at the end of an uneven row of cabinets to support the attachment of AisleLok® Bi-Directional Doors and/or AisleLok® Adjustable Rack Gap Panels. This product is the ideal solution for creating a vertical support structure for attachment purposes in areas where a cabinet or rack cannot be installed, and aides in closing off openings at the ends of uneven aisles.

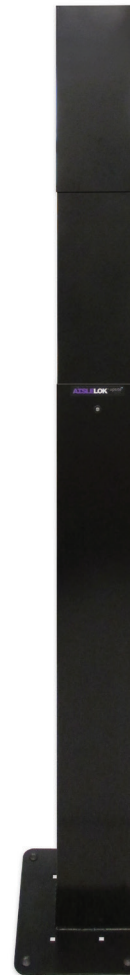
- Used as a vertical support structure
- Accommodate the Bi-Directional Doors and Adjustable Rack Gap Panel
- Can be adjusted to two different height positions (42U or 45U)
- Attaches directly to the raised floor

Features

- Adjustable heights (42U or 45U)
- Spring pin allows for easy and tool-less adjustment for desired height
- Large bottom plate provides a strong structural support
- Easy to assemble, installs in minutes

Benefits

- Provides a structural support surface for the AisleLok® Bi-Directional Doors or AisleLok® Adjustable Rack Gap Panels in various types of applications
- Will accommodate multiple cabinet heights (42U or 45U)
- Ships in two pieces to reduce shipping costs
- All mounting hardware is included
- Replacement hinge bracket (for Bi-Directional Doors) available for retrofits



Specifications

| Part Number | Description | Dimensions | Quantity per Carton | Shipping Weight |
|-------------|---|---|---------------------|-----------------|
| 10167-45B | AisleLok® Adjustable Mounting Post, 42U–45U | 78.75"–84" x 10" x 12" (2000 mm–2134 mm x 254 mm x 305 mm) | 1 | 45 lbs. |

Use

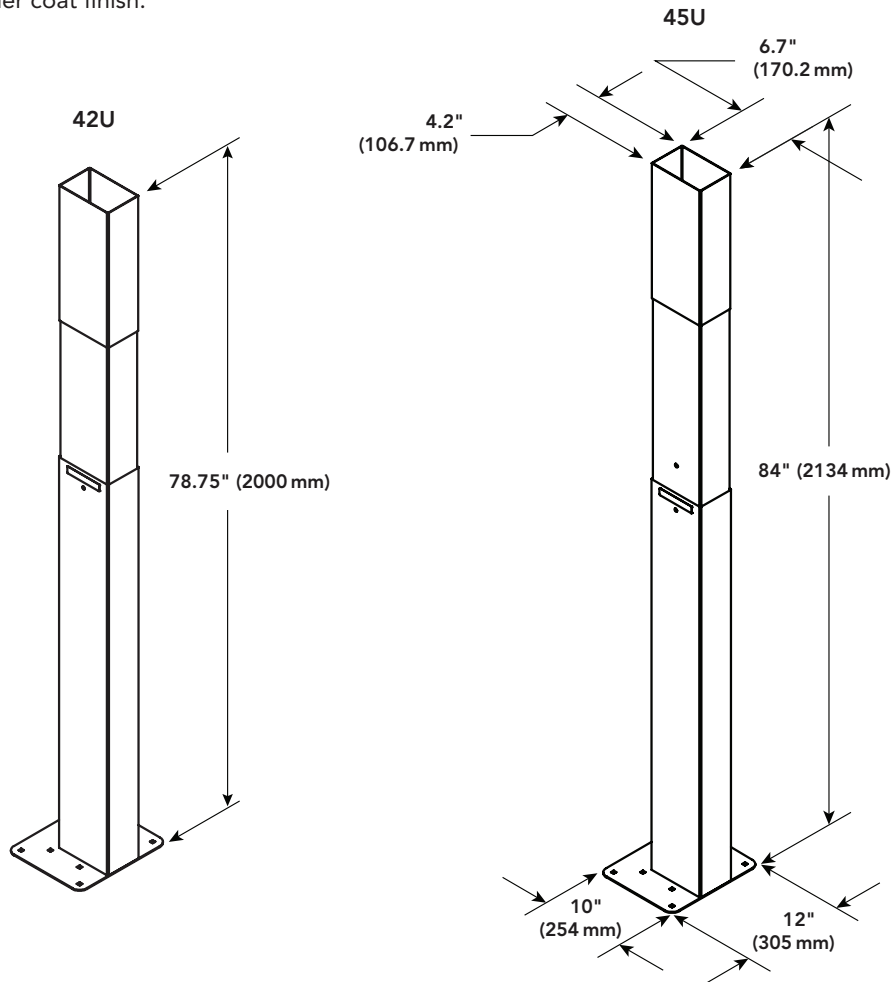
- The AisleLok® Adjustable Mounting Post is best suited for indoor applications where there is an uneven row of cabinets and/or a missing row of cabinets.

Material

- The vertical post of the AisleLok® Adjustable Mounting Post is constructed from 16 gauge sheet metal, and the base plate is constructed from 11 gauge sheet metal.
- Smooth black powder coat finish.

AisleLok® Modular Containment

AisleLok® Modular Containment is the industry's first modular containment solution designed to offer the airflow management benefits of hot and/or cold aisle isolation, but with greater flexibility and price value than traditional containment solutions. The AisleLok® Modular Containment solution is comprised of Rack Top Baffles, Bi-Directional Doors, and the Adjustable Rack Gap Panel.



Designer and Manufacturer
888.982.7800
www.upsite.com